



ARS6311-RX Miro/CerPass Reader

Host-controlled mode (ONLINE mode)

- 26/34/42 bit Wiegand data format interfaces
- Magstripe data format interface (ABA Track II emulation)
- LED/buzzer control input

Stand-alone mode (OFFLINE mode)

- System settings stored in non-volatile memory
- Enrolment of up to 120 users
- User indexing (ID indexed user records)
- Support for Door Contact (DC) and Request-To-Exit (REX) push button
- Door alarm and door bell outputs
- Integration to intrusion alarm system through I/Os
- Entry/exit control (requires two ARS6311-RX to form a pair)
- Built-in signals to ACS6311 I/O board.

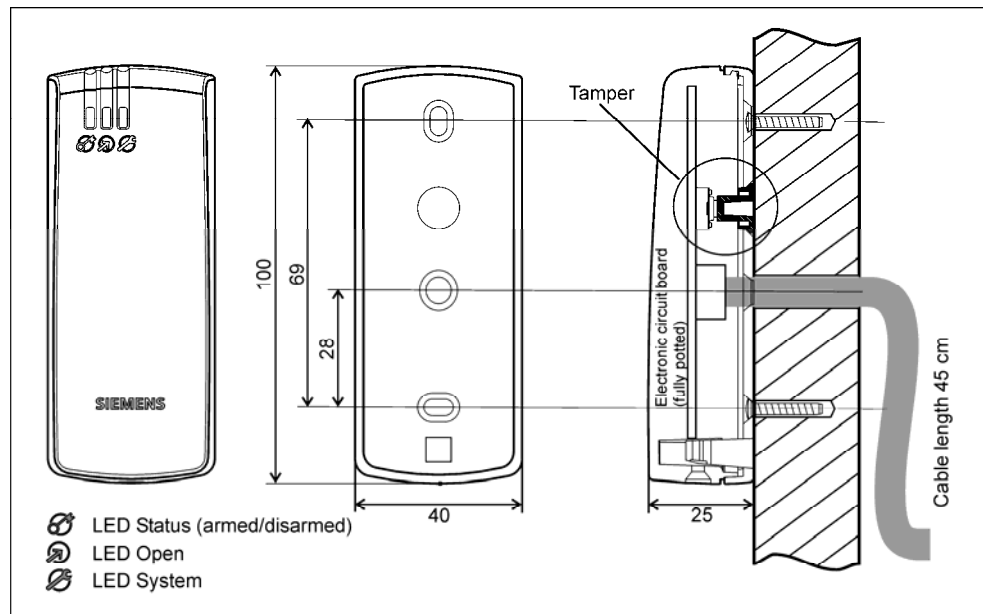
The ARS6311-RX reader has been designed for use in access control installations as an indoor and outdoor proximity reader to enable user identification via EM 125 kHz UNIQUE standard proximity cards and SiPass-/CerPass cards. The ARS6311-RX can be configured for stand-alone mode (called OFFLINE mode) or for use with an external Access Control Unit (ACU) supporting compatible data interface formats (ONLINE mode).

The ARS6311-RX configured for ONLINE mode works as a slave unit with its functions restricted down to reading cards and providing subsequent transmission of such collected data to the host ACU for further processing. The ARS6311-RX offers several data transmission formats available for use in ONLINE mode, which include the popular Wiegand and Magstripe (i.e. simulation of output of a magnetic card reader) data protocols.

When configured for stand-alone operation (OFFLINE mode), an ARS6311-RX independently (i.e. autonomously) controls the supervised door access point. For this mode, it offers the option for communication with the external I/O board ACS6311. An access control installation contains two ARS6311-RX (one at the entry, the other at the exit side of the door) and enables two-way passage control.

The system setup utilizing an ACS6311 provides higher level of security for access control by separating its logical element (the reader) from the actuator element controlling door lock (i.e. the door lock relay).

Dimensions



Technical data

Card reader ARS6311-RX

Input voltage	10 – 15 V DC
Current consumption	40 mA
Anti-tamper protection	NC contact, 50 mA / 24 V
Reading distance	Up to 12 cm for ISO cards (depends on cards)
Proximity cards	– Miro 125 kHz (EM4100/4102 compatible) – CerPass / SiPass
Communication distance	Max. 150 m, between ARS6311-RX and ACS6311
Temperature range	-25 to +60 °C
Relative humidity	10 to 95% (non-condensing)
Ingress protection	IP 65
Dimensions	100 x 40 x 25 mm
Cable length	400 mm
Weight	Approx. 110 g
Approvals	CE

I/O Board ACS6311

Input voltage	10 – 16 V DC
Current consumption	100 mA (both relays activated)
Inputs	Two NO/NC inputs, internally pull-up
Outputs	Two relay outputs, NO/NC dry contact, Form C 1.5 A / 24 V DC/AC rated
Temperature range	-25 to +60 °C
Relative humidity	10 to 95% (non-condensing)
Dimensions	81 x 59 mm
Weight	Approx. 50 g
Approvals	CE

Details for ordering

Type	Part no.	Designation	Weight
ARS6311-RX	S24246-Z3900-A1	Card reader	0,11 kg
Accessories, not included in the delivery!			
ACS6311	S24246-Z4501-A1	I/O board for ARS6311	0,05 kg

Issued by
Siemens Building Technologies
Fire & Security Products GmbH & Co. oHG
D-76181 Karlsruhe

© 2006 Copyright by
Siemens Building Technologies AG
Data and design subject to change without notice.
Supply subject to availability.

www.sbt.siemens.com

Document no. **A24205-A335-B377**
Edition 10.2006