

# CPMS2010-VIR

2 Megapixel CMOS varifocal network bullet camera

**VANDERBILT**



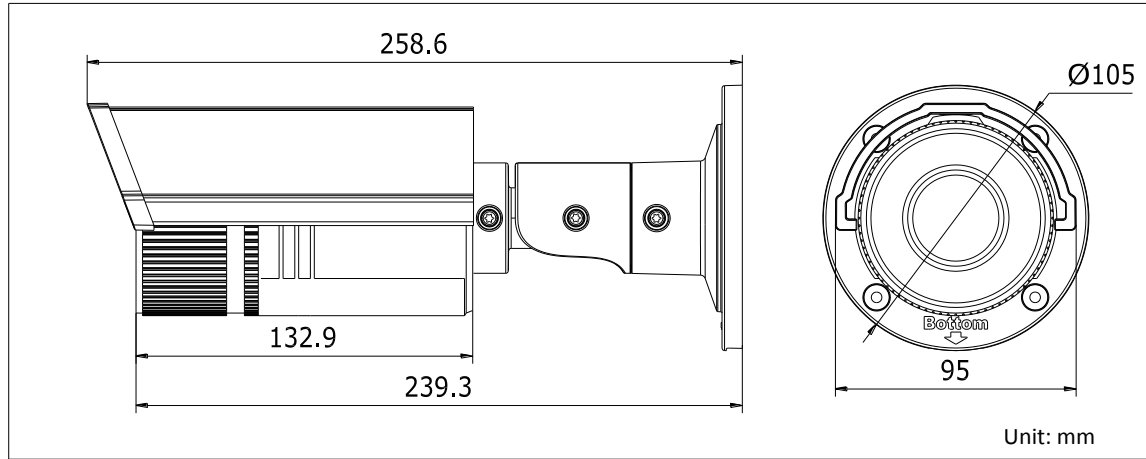
This image contains a junction box which is an optional accessory

The Eventys range offers variants of up to H.264 IP compression efficiency and optimised codec technology, alongside two network video recorders (NVRs). With a simple set up procedure, these products offer outstanding functionality and flexibility, and are perfect for small to medium sized installations.

The Eventys CPMS2010-VIR bullet IP camera features 2MP resolution with a varifocal lens. Powering and connecting the bullet camera is a simple and straightforward exercise thanks to the use of power over Ethernet (PoE). Coupled with automatic IP address allocation, auto-device detection and connection (from Eventys NVRs), Eventys IP cameras truly are plug and play. Robust, reliable and suitable for a wide variety of applications, the cameras are built into an IP67 rated weatherproof enclosure, while advanced CMOS progressive scanning allows the camera to obtain values from each pixel in the sensor and scans to produce a complete picture.

## Key features include:

- Up to 2 megapixel (1920 x 1080) resolution
- Support ROI (Region of Interest) function
- Standard video compression with high compression ratio
- Progressive scan CMOS, capture motion video without incised margin
- Support dual stream, and the sub-stream for mobile surveillance
- High-performance and long service life Infrared LED, Approx. 20 to 30 meters IR range
- Built-in Micro SD/SDHC/SDXC card slot, up to 128 GB
- IR cut filter with auto switch
- PoE (Power over Ethernet)
- 3D DNR – 3D Noise reduction
- DWDR – Digital Wide Dynamic Range
- Ingress Protection level: IP67
- Auto-iris, electronic shutter for different surveillance environments
- 3-axis adjustment
- Support intrusion detection and line crossing detection
- VCA is supported by this camera



**Technical data**

<b>Camera</b>	<b>CPMS2010-VIR</b>
Image Sensor	1/3" Progressive Scan CMOS
Min. Illumination	0.014 Lux @(F1.4,AGC ON), 0 Lux with IR ON
Shutter Speed	1/3 s to 1/100,000 s
Lens	2.8 - 12 mm @ F1.4,Angle of view: 113°-33.8°
Lens Mount	Ø 14
Day &Night	IR cut filter with auto switch
Digital Noise Reduction	3D DNR
Wide Dynamic Range	Digital WDR
<b>Compression Standard</b>	
Video Compression	H.264 / MJPEG
H.264 Compression Type	BaseLine Profile / Main Profile
Video Bit Rate	32 Kbps – 8 Mbps
Dual Stream	Yes
<b>Image</b>	
Max. Resolution	1920x1080

Frame Rate	50Hz: 25fps(1920 × 1080), 25fps (1280 × 960), 25fps (1280 × 720) 60Hz: 30fps(1920 × 1080), 30fps (1280 × 960), 30fps (1280 × 720)
Image Settings	Rotate mode, Saturation, Brightness, Contrast adjustable by client software or web browser
Backlight compensation	Yes, zone optional
ROI	Support
<b>Network</b>	
Network Storage	NAS (Support NFS, SMB/CIFS)
Alarm Trigger	Intrusion detection, Line crossing detection, Motion detection, Dynamic analysis, Tampering alarm, Network disconnect, IP address conflict, Storage exception
Protocols	TCP/IP, UDP, ICMP, HTTP, HTTPS, FTP, DHCP, DNS, DDNS, RTP, RTSP, RTCP, PPPoE, NTP, UPnP, SMTP, SNMP, IGMP, 802.1x, QoS, IPv6, Bonjour
Security	One-key reset, Flicker-less, dual stream, heartbeat, mirror, password protection, privacy mask, watermark, IP address filtering, Anonymous access
Standard	ONVIF Profile S
<b>Interface</b>	
Communication Interface	1 RJ45 10M/100M Ethernet interface
Video Output	1Vp-p composite output (75 Ω/BNC)
On-board storage	Built-in Micro SD/SDHC/SDXC card slot, up to 128 GB, card not included
<b>General</b>	
Operating Conditions	-30 °C – 60 °C (-22 °F – 140 °F) Humidity 95% or less (non-condensing)
Power Supply	12 V DC ± 10% PoE (802.3af)
Power Consumption	Max. 7.1 W
Ingress Protection level	IP67
IR Range	Approx. 20-30 meters
Dimensions	∅ 95×105×258.6mm (∅ 3.74" × 4.13" × 10.18")
Weight	1200g

---

## Details for ordering

---

Type	Part no.	Designation	Weight
CPMS2010-VIR	V54561-C135-A100	CPMS2010-VIR 2MP bullet IR Varif.	1200g

---