

Sinteso™/ Cerberus™ PRO

## Input module, input/output module

FDCI221, FDCIO221



### Input module and input/output module for the automatically addressed detector line FDnet/C-NET

- Input module FDCI221:
  - Monitorable contact input for reporting technical statuses or activating an alarm
- Input/output module FDCIO221:
  - Control output with potential-free relay contact for activation of alarming devices, fans, air conditioning systems, lift controls, etc.
  - Monitorable contact input for reporting technical statuses or activating an alarm
  - Use as a monitored output with a separate power supply, e.g., for operating acoustic signal transmitters
- LED indicator for input/output statuses and for fault, test, localization
- Power supply and communication via FDnet/C-NET (addressed individually)
- Address automatically issued during commissioning
- Two-wire installation for all cable types

**Features**

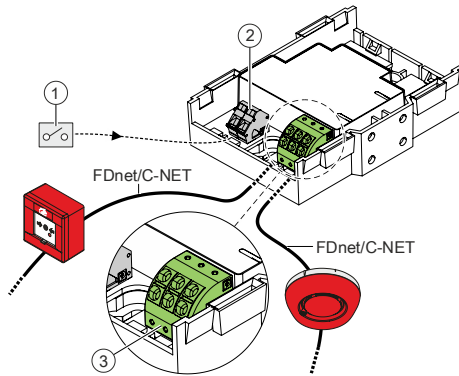
- Transparent housing, ensuring that indicators are easy to see
- Protected electronics
- Integrated line separator
- Chronological status monitoring
- Supply via FDnet/C-NET, auxiliary supply only required if the output is configured as monitored (FDCIO221)
- Microprocessor-controlled signal processing
- Different mounting options
- For dry areas
- In humid environments, use additional housing FDCH221

**Eco-friendly**

- Environmentally friendly processing
- Reusable materials
- Electronic parts and synthetic materials can be easily separated

**FDCI221 input module**

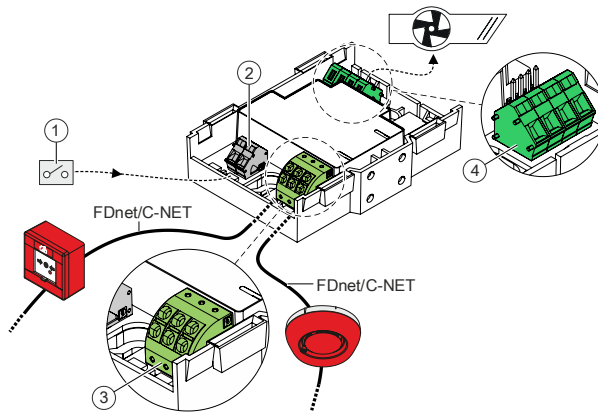
- Input for potential-free detector contact
- Monitoring the input line for open line and short-circuit with terminating resistors
- The input for status or alarm messages can be configured using the fire control panel.
- Status indicator by means of LED
- Fields of application:
  - To activate a potential-free normally open or normally closed contact in order to report technical statuses (e.g., door or fan control) or to activate an alarm (e.g., sprinkler alarm)



1	Potential-free detector contact	3	Connections for the detector line
2	Connections for the input		

### FDCIO221 input/output module

- Input for potential-free detector contact
- Monitoring the input line for open line and short-circuit with terminating resistors
- The input for status or alarm messages can be configured using the fire control panel.
- Output which can be configured via jumper:
  - Not monitorable: Potential-free relay contact (AC 22 V, 2 A or DC 30 V, 2 A)
  - Monitorable: Relay contact (DC 30 V, 2 A)
- Status indicator by means of LED
- Fields of application:
  - To activate a potential-free normally open or normally closed contact in order to report technical statuses (e.g., fan control) or to activate an alarm (e.g., sprinkler alarm)
  - For decentralized activation of alarming devices, fans, air conditioning systems, lift controls, etc.



1	Potential-free detector contact	3	Connections for the detector line
2	Connections for the input	4	Connections for the output

## Type Overview

Type	Designation	Order number	Weight [kg]
FDCI221	Input module incl. 2 resistors, 2 mounting feet	S54312-F1-A1	0.060
FDCIO221	Input/output module incl. 2 resistors, 2 mounting feet	S54312-F2-A1	0.066

### Accessories for input module FDCI221, input/output module FDCIO221

Type	Designation	Order number	Weight [kg]
FDCH221	Housing with cover, seal, and screws	S54312-F3-A1	0.282
–	M20 x 1.5 metal cable gland	A5Q00004478	0.036
–	M20 metal counter nut	A5Q00004479	0.006
DBZ1190-AB	1.0...2.5 mm <sup>2</sup> (3-pin) connection terminal	BPZ:4942340001	0.001

### Replacement material for input module FDCI221, input/output module FDCIO221

Type	Designation	Order number	Weight [kg]
FDCM291	Mounting foot	A5Q00003855	0.001

## Product documentation

Document ID	Name
008164	Equipment overview Sinteso™ Detector system FD20
A6V10225323	Equipment overview Cerberus™ PRO Detector system FD720
008331	List of compatibility (for 'Sinteso™' product line)
A6V10229261	List of compatibility (for 'Cerberus™ PRO' product line)
A6V10211122	Technical Manual Input module FDCI221, input/output module FDCIO221
A6V10212086	Installation Input module FDCI221, Input/Output module FDCIO221, Housing FDCH221

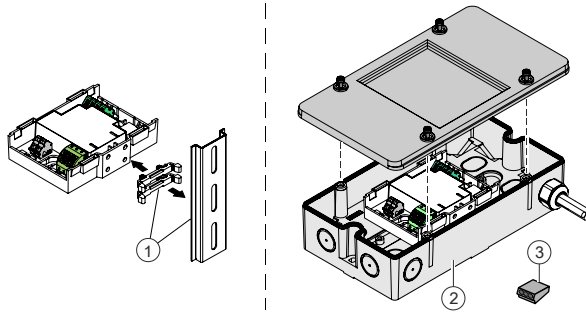
Related documents such as environmental declarations, CE declarations, etc., can be downloaded at the following Internet address:

<http://siemens.com/bt/download>

## Mounting

### Mounting options

- Directly on the mounting surface
- Series mounting on a U-rail TS35
- Surface-mounted or recess-mounted cable entry
- In housing FDCH221 (accessory) with cover, seal, and screws for wet areas



1 Series mounting using mounting feet supplied, on U-rail TS35

2 Mounting in housing FDCH221 (accessory)

3 Use auxiliary terminals DBZ1190-AB for shielded cables

## Disposal





The device is considered an electronics device for disposal in terms of European Directive 2012/19/EU and may not be disposed of as domestic garbage.

- Dispose of the device through channels provided for this purpose.
- Comply with all local and currently applicable laws and regulations.

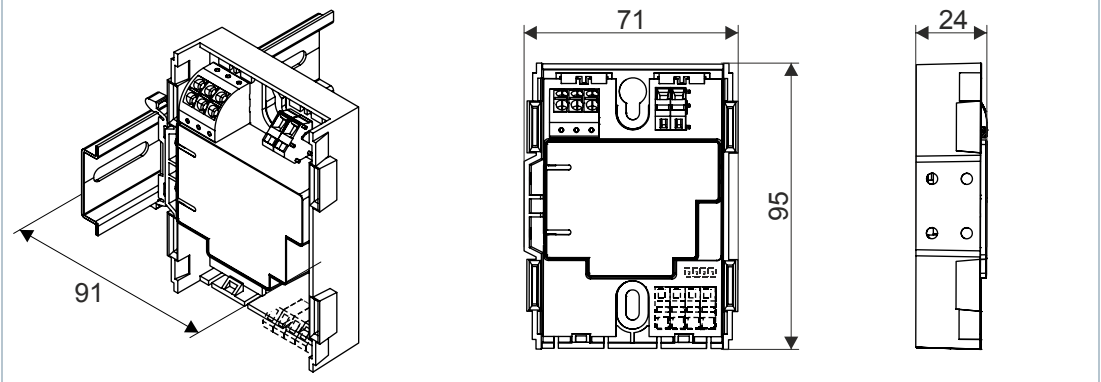
## Technical data

	FDCI221	FDCIO221
Operating voltage	DC 12...33 V	
Operating current (quiescent)	Max. 0.3 mA	Max. 0.4 mA
Relay output (ohmic)	-	AC 22 V, 2 A, max. 44 VA DC 30 V, 2 A, max. 60 W
Line resistance (input)	Max. 20 Ω	
Operating temperature	-25...+70 °C	
Storage temperature	-30...+75 °C	
Air humidity	≤95 % rel.	
Communication protocol	FDnet/C-NET	
Connection terminals	0.2...2.5 mm <sup>2</sup>	
Color <ul style="list-style-type: none"> <li>• Housing</li> <li>• Cover</li> <li>• Housing FDCH221</li> </ul>	~RAL 9010, pure white Transparent matt ~RAL 9010, pure white	
Protection category (IEC 60529) <ul style="list-style-type: none"> <li>• When mounted on a U-rail in a fire control panel</li> <li>• With housing FDCH221</li> </ul>	IP30  IP65	
Standards	EN 54-17, EN 54-18	
Approvals <ul style="list-style-type: none"> <li>• VdS</li> <li>• LPCB</li> <li>• FM</li> </ul>	G209066 531h/01 3038448	G209067 531h/02 3038448
• DNV GL (Marine)	59 825 - 13 HH	
System compatibility <ul style="list-style-type: none"> <li>• FDnet</li> <li>• C-NET</li> </ul>	FS20 FS720	

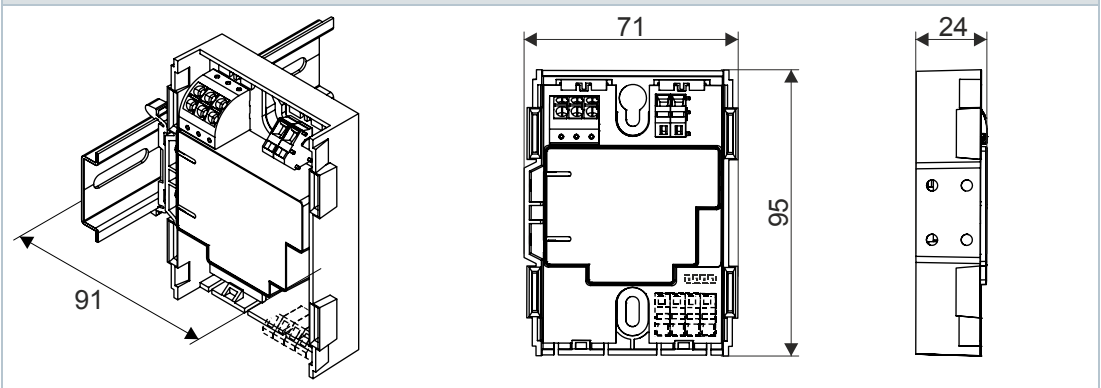
10  0786	<b>FDCI221</b>	Siemens Switzerland Ltd; Gubelstrasse 22 CH-6301 Zug Technical data: see doc. <b>A6V10211122</b>
FDCI221 - Input/output device incl. short-circuit isolator for use in fire detection and fire alarm systems installed in buildings.		
305/2011/EU (CPR): EN 54-17 / EN 54-18 ; 2014/30/EU (EMC): EN 50130-4 / EN 61000-6-3 ; 2011/65/EU (RoHS): EN 50581		
The declared performance and conformity can be seen in the Declaration of Performance (DoP) and the EU Declaration of Conformity (DoC), which is obtainable via the Customer Support Center: Tel. +49 89 9221-8000 or <a href="http://siemens.com/bt/download">http://siemens.com/bt/download</a>		
DoP No.: 0786-CPR-20709; DoC No.: CED-FDCI221		

10  0786	<b>FDCIO221</b>	Siemens Switzerland Ltd; Gubelstrasse 22 CH-6301 Zug Technical data: see doc. <b>A6V10211122</b>
FDCIO221 -input/output device incl. short-circuit isolator for use in fire detection and fire alarm systems installed in buildings.		
305/2011/EU (CPR): EN 54-17 / EN 54-18 ; 2014/30/EU (EMC): EN 50130-4 / EN 61000-6-3 ; 2011/65/EU (RoHS): EN 50581		
The declared performance and conformity can be seen in the Declaration of Performance (DoP) and the EU Declaration of Conformity (DoC), which is obtainable via the Customer Support Center: Tel. +49 89 9221-8000 or <a href="http://siemens.com/bt/download">http://siemens.com/bt/download</a>		
DoP No.: 0786-CPR-20710; DoC No.: CED-FDCIO221		

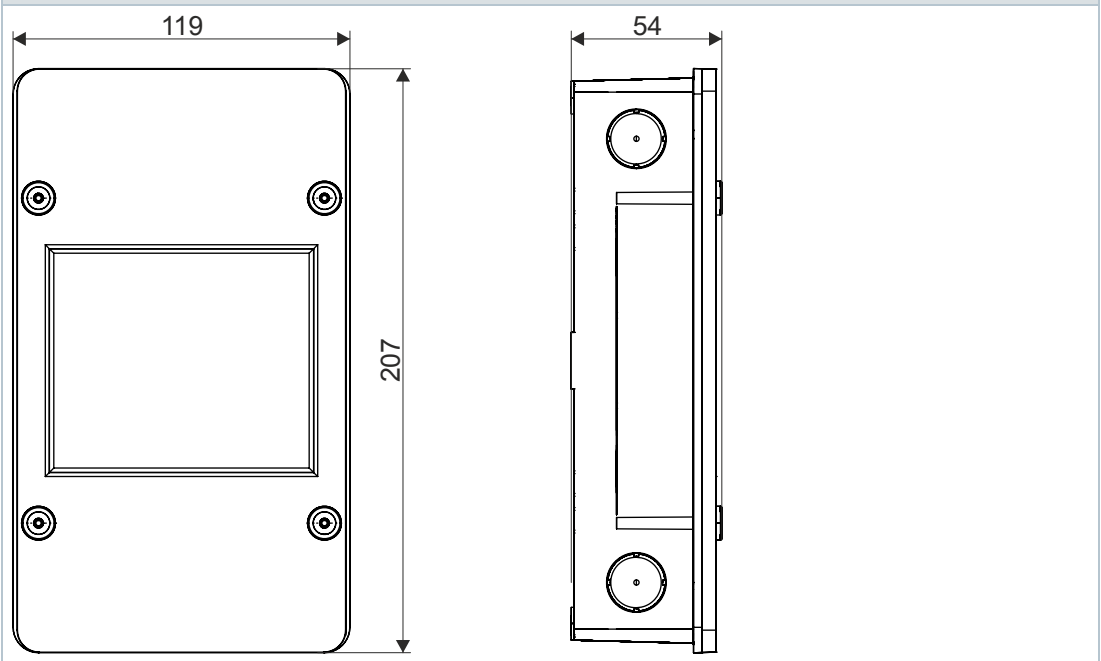
Input module FDCI221



Input/output module FDCIO221



Housing FDCH221



Issued by  
Siemens Switzerland Ltd  
Building Technologies Division  
International Headquarters  
Gubelstrasse 22  
CH-6301 Zug  
Tel. +41 41-724 24 24  
[www.siemens.com/buildingtechnologies](http://www.siemens.com/buildingtechnologies)

© Siemens Switzerland Ltd, 2009  
Technical specifications and availability subject to change without notice.