

XNV-8080RS

5M Stainless Vandal-Resistant Network IR Dome Camera

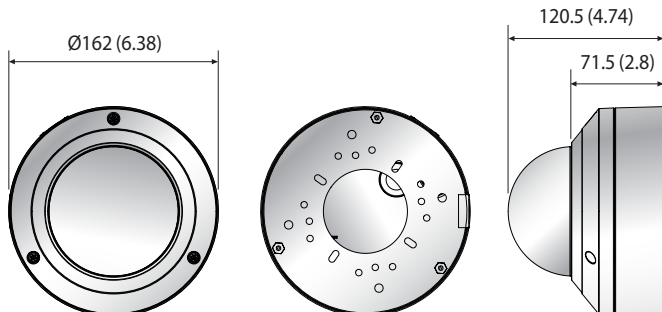


Key Features

- Max. 5Megapixel (2560 x 1920) resolution
- 3.9 ~ 9.4mm (2.4x) motorized varifocal lens
- Max. 30fps@all resolutions (H.265 / H.264)
- H.265, H.264, MJPEG codec supported, Multiple streaming
- Day & Night (ICR), WDR (120dB), Defog
- Loitering, Directional detection, Fog detection, Audio detection, Digital auto tracking, Sound classification, Tampering
- Motion detection, Handover
- SD/SDHC/SDXC memory 2slots (Max. 512GB)
- Hallway view, WiseStream II support
- IR viewable length 50m, IP66, NEMA 4X, IK10+
- LDC, PoE, Bi-directional audio support

Dimensions

Unit : mm (inch)



Accessories (Optional)



SBP-300HMS6



SBP-300WMS



SBP-300WMS1

XNV-8080RS

VIDEO	
Imaging Device	1 / 1.8" 6M CMOS
Total Pixels	3096 (H) x 2094 (V)
Effective Pixels	2616 (H) x 1976 (V)
Scanning System	Progressive
Min. Illumination	Color : 0.07 Lux (F1.3, 1 / 30sec), B/W : 0 Lux (IR LED On)
S / N Ratio	50dB
Video Out	CVBS : 1.0 Vp-p / 75Ω composite, 720x480 (N), 720x576 (P), for installation USB : Micro USB type B, 1280x720, for installation
LENS	
Focal Length (Zoom Ratio)	3.9~9.4mm (2.4x) motorized varifocal
Max. Aperture Ratio	F1.3
Angular Field of View	H: 92.1°, V: 67.2°, D: 119.9° / H: 38.7°, V: 29.0°, D: 48.6°
Min. Object Distance	0.5m (1.64ft)
Focus Control	Simple focus (Motorized V/F) / Manual, Remote control via network (Manual, Simple focus)
Lens Type	DC Auto Iris, P-iris
Mount Type	Board-in type
PAN / TILT / ROTATE	
Pan / Tilt / Rotate Range	0° ~ 354° / 0° ~ 67° / 0° ~ 355°
OPERATIONAL	
IR Viewable Length	50m (164.04ft)
Camera Title	Off / On (Displayed up to 85 characters) - W/W : English / Numeric / Special characters - China : English / Numeric / Special / Chinese characters - Common : Multi-line (Max. 5), Color (Grey / Green / Red / Blue / Black / White), Transparency, Auto scale by resolution
Day & Night	Auto (ICR) / Color / B/W / External / Schedule
Backlight Compensation	Off / BLC / HLC (Masking / Dimming), WDR
Wide Dynamic Range	120dB
Contrast Enhancement	SSDR (Off / On)
Digital Noise Reduction	SSNR5 (2D+3D Noise Filter) (Off / On)
Digital Image Stabilization	Off / On
Defog	Auto / Manual / Off
Motion Detection	Off / On (8ea, 8 point polygonal zones), Handover
Privacy Masking	Off / On (32ea, polygonal zones) - Color : Grey / Green / Red / Blue / Black / White - Mosaic
Gain Control	Off / Low / Middle / High / Manual
White Balance	ATW / AWC / Manual / Indoor / Outdoor (included Mercury & Sodium)
Contrast	Level adjustment
LDC	On / Off (5 levels with Min / Max)
Electronic Shutter Speed	Minimum / Maximum / Anti flicker (2 ~ 1 / 12,000sec)
Digital PTZ	24x, Digital PTZ (Preset, Group)
Flip / Mirror	On / Off, Hallway view : 90° / 270°
Video & Audio Analytics	Tampering, Loitering, Directional detection, Defocus detection, Fog detection, Virtual line, Enter/Exit, Appear/Disappear, Audio detection, Face detection, Motion detection, Digital auto tracking, Sound classification
Alarm I / O	Input 1ea / Output 1ea
Alarm Triggers	Alarm input, Motion detection, Video & audio analytics, Network disconnect
Alarm Events	File upload via FTP, E-Mail / Notification via E-Mail / Local storage (SD / SDHC / SDXC) or NAS recording at event triggers / External output / DPTZ preset
Pixel Counter	Support

XNV-8080RS

NETWORK	
Ethernet	RJ-45 (10 / 100BASE-T)
Video Compression Format	H.265 / H.264 (MPEG-4 Part 10 / AVC) : Main / Baseline / High , Motion JPEG
Resolution	2560 x 1920, 2560 x 1440, 2048 x 1536, 1920 x 1080, 1600 x 1200, 1280 x 1024, 1280 x 960, 1280 x 720, 1024 x 768, 800 x 600, 800 x 448, 720 x 576, 720 x 480, 640 x 480, 640 x 360, 320 x 240
Max. Framerate	H.265 / H.264 : Max. 30fps at all resolutions / Motion JPEG : Max. 30fps
Smart Codec	Manual mode (area-based : 5EA)
WiseStream II	Support
Video Quality Adjustment	H.264 / H.265 : Target bitrate level control / MJPEG : Target bitrate level control
Bitrate Control Method	H.264 / H.265 : CBR or VBR, with WiseStream / MJPEG : VBR
Streaming Capability	Multiple streaming (Up to 10 Profiles)
Audio In	Selectable (Mic in / Line in), Supply voltage: 2.5VDC (4mA), Input impedance: approx. 2K Ohm
Audio Out	Line out, Max. output level: 1 Vrms
Audio Compression Format	- G.711 u-law / G.726 selectable - G.726 (ADPCM) 8KHz, G.711 8KHz - G.726 : 16Kbps, 24Kbps, 32Kbps, 40Kbps - AAC-LC : 48Kbps at 8 / 16 / 32 / 48KHz
Audio Communication	Bi-dierctional (2-Way)
IP	IPv4, IPv6
Protocol	TCP/IP, UDP/IP, RTP(UDP), RTP(TCP), RTCP, RTSP, NTP, HTTP, HTTPS, SSL/TLS, DHCP, PPPoE, FTP, SMTP, ICMP, IGMP, SNMPv1/v2c/v3(MIB-2), ARP, DNS, DDNS, QoS, PIM-SM, UPnP, Bonjour
Security	HTTPS (SSL) login authentication / Digest login authentication / IP address filtering / User access log / 802.1X authentication (EAP-TLS, EAP-LEAP)
Streaming Method	Unicast / Multicast
Max. User Access	20 users at Unicast mode
Edge Storage	SD / SDHC / SDXC 2slot (up to 512 GB) - Continuous recording (1st slot to 2nd slot) - Motion Images recorded in the SD / SDHC / SDXC memory card can be downloaded. NAS (Network Attached Storage) Local PC for instant recording
Application Programming Interface	ONVIF Profile S/G / SUNAPI (HTTP API) / Open Platform
Webpage Language	English, Korean, Chinese, French, Italian, Spanish, German, Japanese, Russian, Swedish, Portuguese, Czech, Polish, Turkish, Dutch, Hungarian, Greek
Web Viewer	Supported OS: Windows 7, 8.1, 10, Mac OS X 10.10. 10.11 10.12 Non-plugin Webviewer Supported Browser: Google Chrome, MS Edge, Mozilla Firefox (Windows 64bit only), Apple Safari 10 (Mac OS X only) Plug-in Webviewer Supported Browser : MS Explorer 11, Apple Safari (Mac OS X only)
Central Management Software	SmartViewer, SSM
ENVIRONMENTAL	
Operating Temperature / Humidity	-40°C ~ +55°C (-40°F ~ +131°F) / Less than 90% RH
Storage Temperature / Humidity	-50°C ~ +60°C (-58°F ~ +140°F) / Less than 90% RH
Ingress Protection	IP66, NEMA 4X
Vandal Resistance	IK10+
ELECTRICAL	
Input Voltage / Current	24VAC ± 10%, 12VDC ± 10%, PoE (IEEE802.3af)
Power Consumption	Max. 11.5W (12VDC), Max. 12.95W (PoE), Max. 14W (24VAC)
MECHANICAL	
Color / Material	Silver / SUS316L, Nylon (Bubble)
Dimension (WxHxD)	Ø 162 X H120.5mm (Ø 6.38" x 4.74")
Weight	2.68kg (5.91lb)

* The latest product information / specification can be found at hanwha-security.com

* Design and specifications are subject to change without notice.

* Wisenet is the proprietary brand of **Hanwha Techwin**, formerly known as Samsung Techwin.